

HC/HD Series

Counting Scales



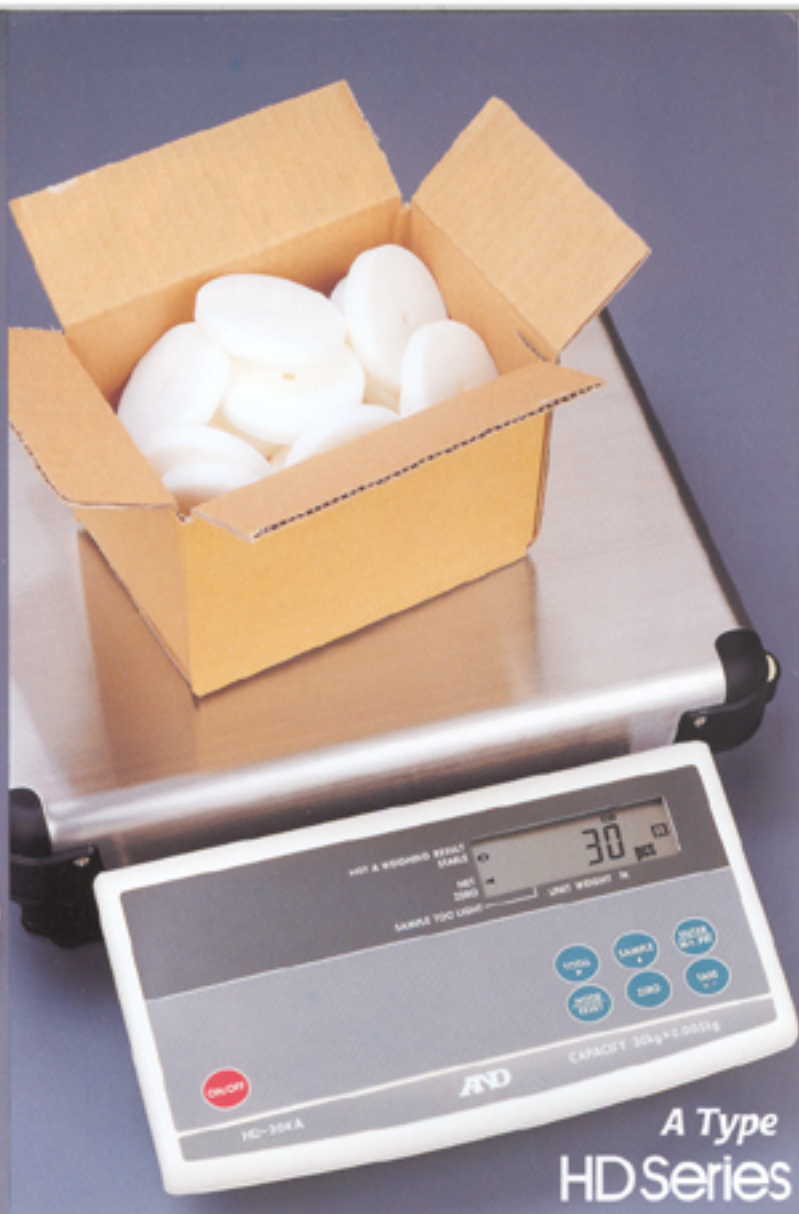
ALYS Labware, Lausanne
Tel : 021 312 42 60
Fax : 021 312 42 61
labware@alys-technologies.com

A&D
A&D Company, Limited

...Clearly a Better Value



A Type
HC Series



A Type
HD Series

High performance, Affordable, Great features

Features

- Designed for cost conscious users
- High quality, full featured counting scales
- Choice of simple operation (A version) or 10-key pad models for direct entry of tare weight, piece weight and sample size (B version)
- Automatic Counting Accuracy Improvement (ACAI) feature for excellent counting accuracy
- Comparator function for use in packaging operations. Results on display, buzzer or optional relay output
- 12 models in 5 capacities and A/B versions
- M+ totaling for running totals
- 3 power sources-AC, dry cell battery for standard operation, or optional rechargeable battery (AD-1681). Battery power is particularly useful in portable operations and areas with no power or power blackouts
- Automatic power off to conserve battery life
- Large easy to read wide angle LCD displays
- Intuitive operation for ease of use and reduced training time
 - Disables all key functions except (ON/OFF)(ZERO)(TARE)(SAMPLE) (ENTER/M+/PRT) for error free use

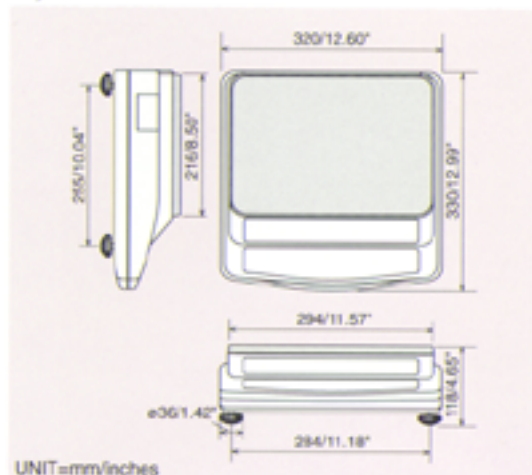
HC Series

The HC series is designed for the cost conscious user. It is compact and portable. Its low profile speeds operation and saves space.

B Type



Physical Dimensions



UNIT=mm/inches

- HC-3KA/3KB
3kg x 0.5g / 6 lb x 0.001 lb
- HC-6KA/6KB
6kg x 1g / 12 lb x 0.002 lb
- HC-12KA/12KB
12kg x 2g / 30 lb x 0.005 lb

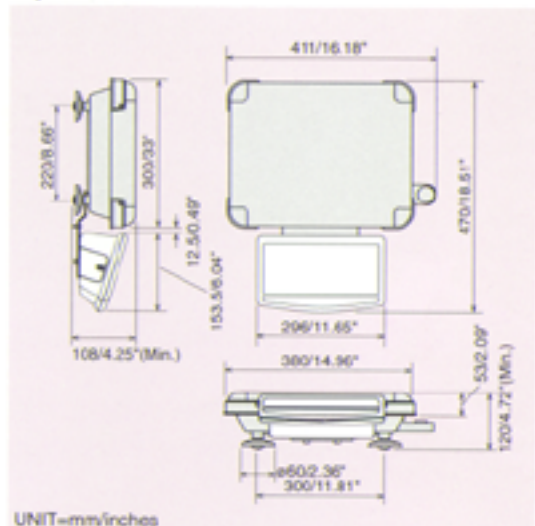
HD Series

The HD series has a detachable display head and large weighing pan for use with over sized containers. It allows flexible reading and convenient operations.

B Type



Physical Dimensions



UNIT=mm/inches

- HD-12KA/12KB
12kg x 2g / 30 lb x 0.005 lb
- HD-30KA/30KB
30kg x 5g / 60 lb x 0.01 lb
- HD-60KA/60KB
60kg x 10g / 120 lb x 0.02 lb

Option

- OP-06 Carrying Handle (HD only)



Accessories

- AD-1681 Rechargeable Battery



- AD-8121 Multi-function Printer



ALYS Labware, Lausanne
Tel : 021 312 42 60
Fax : 021 312 42 61
labware@alys-technologies.com

Specifications

HC Series

| Model | HC-3KA | HC-6KA | HC-12KA | HC-3KB | HC-6KB | HC-12KB |
|--------------------------|---|------------|------------|--|------------|------------|
| Capacity/Resolution (kg) | 3kg × 0.5g | 6kg × 1g | 12kg × 2g | 3kg × 0.5g | 6kg × 1g | 12kg × 2g |
| Capacity/Resolution (lb) | 6 × 0.001 | 12 × 0.002 | 30 × 0.005 | 6 × 0.001 | 12 × 0.002 | 30 × 0.005 |
| Internal Resolution | 1/120000 | | | | | |
| Min. Unit Weight (g)* | 0.1/0.025 | 0.2/0.05 | 0.4/0.1 | 0.1/0.025 | 0.2/0.05 | 0.4/0.1 |
| Calibration Mass (kg) | 3 | 6 | 12 | 3 | 6 | 12 |
| Calibration Mass (lb) | 6 | 12 | 30 | 6 | 12 | 30 |
| Sample Size | 5, 10, 25, 50 or 100 | | | 5, 10, 25, 50, 100 or random numbers user selectable | | |
| Max. Count (pieces) | 30000/120000pcs | | | | | |
| Linearity | ±0.5g | ±1g | ±2g | ±0.5g | ±1g | ±2g |
| Display | Liquid Crystal Display, 17mm/0.67inches height | | | | | |
| Sensitivity Drift | 20ppm/°C (5°C - 35°C) | | | | | |
| Operating Temperature | -10°C - 40°C / 14°F - 104°F | | | | | |
| Weight | Approximately 3kg / 6.6 lb | | | | | |
| Power | AC Adaptor, six AM2 (C type) 1.5V dry batteries or optional rechargeable NiCd battery pack (AD-1681) | | | | | |
| Battery Life | Approximately 100 hours with manganese type cells, 200 hours with alkaline type cells, 20 hours with rechargeable battery pack(AD-1681) | | | | | |
| Pan Size | 216(W) × 294(D) mm/8.50(W) × 11.57(D) inches | | | | | |
| Physical Dimensions | 320(W) × 330(D) × 118(H) mm/12.60(W) × 12.99(D) × 4.65(H) inches | | | | | |
| Standard Accessories | Manual, AC adaptor | | | | | |

*Minimum weighing resolution can be selected from 1/30000 mode or 1/120000 mode.

HD Series

| Model | HD-12KA | HD-30KA | HD-60KA | HD-12KB | HD-30KB | HD-60KB |
|--------------------------|---|-----------|------------|--|-----------|------------|
| Capacity/Resolution (kg) | 12kg × 2g | 30kg × 5g | 60kg × 10g | 12kg × 2g | 30kg × 5g | 60kg × 10g |
| Capacity/Resolution (lb) | 30 × 0.005 | 60 × 0.01 | 120 × 0.02 | 30 × 0.005 | 60 × 0.01 | 120 × 0.02 |
| Internal Resolution | 1/120000 | | | | | |
| Min. Unit Weight (g)* | 0.4/0.1 | 1/0.25 | 2/0.5 | 0.4/0.1 | 1/0.25 | 2/0.5 |
| Calibration Mass (kg) | 12 | 30 | 60 | 12 | 30 | 60 |
| Calibration Mass (lb) | 30 | 60 | 120 | 30 | 60 | 120 |
| Sample Size | 5, 10, 25, 50 or 100 | | | 5, 10, 25, 50, 100 or random numbers user selectable | | |
| Max. Count (pieces) | 30000/120000pcs | | | | | |
| Linearity | ±2g | ±5g | ±10g | ±2g | ±5g | ±10g |
| Display | Liquid Crystal Display, 17mm/0.67inches height | | | | | |
| Sensitivity Drift | 20ppm/°C (5°C - 35°C) | | | | | |
| Operating Temperature | -10°C - 40°C / 14°F - 104°F | | | | | |
| Weight | Approximately 9kg / 19.8 lb | | | | | |
| Power | AC Adaptor, six AM2 (C type) 1.5V dry batteries or optional rechargeable NiCd battery pack (AD-1681) | | | | | |
| Battery Life | Approximately 100 hours with manganese type cells, 200 hours with alkaline type cells, 20 hours with rechargeable battery pack(AD-1681) | | | | | |
| Pan Size | 300(W) × 380(D) mm/11.81(W) × 14.96(D) inches | | | | | |
| Physical Dimensions | 411(W) × 470(D) × 120(H) mm/16.18(W) × 18.50(D) × 4.72(H) inches | | | | | |
| Standard Accessories | Manual, AC adaptor | | | | | |

*Minimum weighing resolution can be selected from 1/30000 mode or 1/120000 mode.

Specifications subject to change for improvement without notice.

Options for HC Series

- OP-03 — Serial Interface (RS-232C)
 - OP-04 — Comparator/Relay Output
 - OP-05 — Serial Interface (Current Loop)
- Only one option can be selected from OP-03, OP-04 and OP-05.

Options for HD Series

- OP-03 — Serial Interface (RS-232C)
 - OP-04 — Comparator/Relay Output
 - OP-05 — Serial Interface (Current Loop)
 - OP-06 — Carrying Handle
- Only one option can be selected from OP-03, OP-04 and OP-05.

Accessories

- AD-1681 — Rechargeable Battery Pack
- AD-8118B — Universal Printer
- AD-8119 — Label Printer
- AD-8121 — Multi-function Printer
- AD-8524B — Keyboard Adapter (for IBM PCs)

AND

...Clearly a Better Value

A&D Company, Limited
3-23-14 Higashi-Ikebukuro, Toshima-ku, Tokyo 170 JAPAN
Telephone: [81] (03) 5391-6132 Fax: [81] (03) 5391-6148

A&D ENGINEERING, INC.
1555 McCandless Drive, Milpitas, CA. 95035 U.S.A.
Telephone: [1] (408) 263-5333 Fax: [1] (408) 263-0119

A&D MERCURY PTY. LTD.
32 Dew Street, Thebarton, South Australia 5031 AUSTRALIA
Telephone: [61] (08) 352-3033 Fax: [61] (08) 352-7409

A&D INSTRUMENTS LTD.
Abingdon Science Park, Abingdon, Oxford OX14 3YS ENGLAND
Telephone: [44] (0235) 550420 Fax: [44] (0235) 550485
< German Sales Office >
Genfer Straße 8, 60437 Frankfurt/Main 50 GERMANY
Telephone: [49] (069) 507 1017 Fax: [49] (069) 507 2054

A&D KOREA Limited
Seongmi Building 2/3F, 740-18 Pangpo-1dong, Seocho-ku, Seoul, KOREA
Telephone: [82] (02) 517-4101 Fax: [82] (02) 546-4264

ALYS Labware, Lausanne
Tel : 021 312 42 60
Fax : 021 312 42 61
labware@alys-technologies.com