

# MCB Wheelchair and Bed Weighing Beams



“The Affordable Alternative”

Adam Equipment Company Ltd  
Bond Avenue  
Milton Keynes, MK1 1SW  
United Kingdom  
Tel: +44 (0)1908 274545  
Fax: +44 (0)1908 641339  
e-mail: [sales@adamequipment.co.uk](mailto:sales@adamequipment.co.uk)

Adam Equipment Inc.  
26 Commerce Drive  
Danbury, CT 06810  
United States of America  
Tel: +1 203 790 4774  
Fax: +1 203 792 3406  
e-mail: [sales@adamequipment.com](mailto:sales@adamequipment.com)

Adam Equipment S.A. (Pty) Ltd  
P. O. Box 1422, Kempton Park 1620  
Johannesburg  
Republic of South Africa  
Tel: +27 (0)11 974 9745  
Fax: +27 (0)11 392 2587  
e-mail: [sales@adamequipment.co.za](mailto:sales@adamequipment.co.za)

# MCB Wheelchair and Bed Weighing Beams

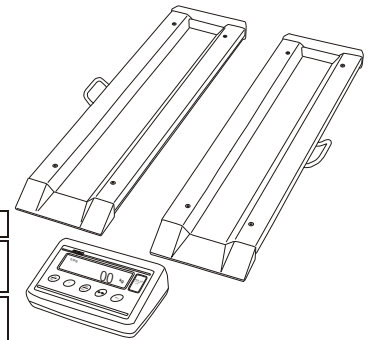
“The Affordable Alternative”

MCB 300 wheelchair and MCB 400 bed weighing beams provide a portable method of weighing patients with restricted mobility.

- Total weight of system only 15kg
- Supplied complete with the AE106 medical indicator (mains and battery powered)
- Carry handles for easy portability
- Ramps for easy and smooth access
- Tare function
- Beam size (l x w x d) - 895 x 244 x 40mm

## SPECIFICATIONS

Model	MCB 300	MCB 400
Maximum capacity	300kg	400kg
Minimum capacity	2kg	2kg
Readability	100g	100g
Resolution	0.1kg	0.1kg
Tare range	Full	Full
Repeatability	0.1kg	0.1kg
Linearity (±)	0.1kg	0.1kg
Stabilisation time	3 sec	3 sec
Units of measure	kg,lb	
Operating temperature	0°C - 40°C	
Power supply	6 x AA size alkaline batteries or 9Vdc adapter	
Calibration	Push button	
Display	LCD	
Gross weight	15kg / 33lb	
Applications	Weighing wheelchairs and for use under the feet of beds	
Functions	Hold function	
Other features	Special filters for weighing people even when they are not completely still, automatic turn-off to conserve batteries	



*Distributed by:* **ALYS Labware, Lausanne**

**Tel : 021 312 42 60**

**Fax : 021 312 42 61**

**labware@alys-technologies.com**



**Offices in UK, USA and South Africa**

**www.adamequipment.com**