

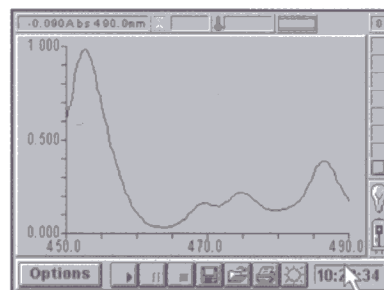
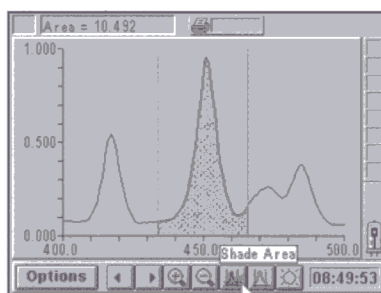
## MODEL 6500 SERIES UV/VISIBLE SPECTROPHOTOMETERS



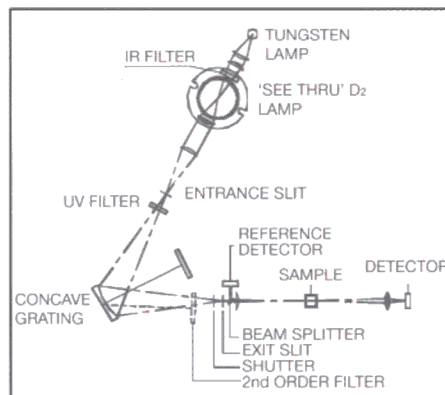
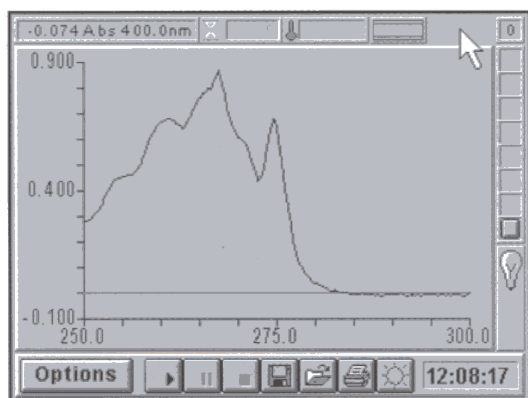
- High performance scanning spectrophotometer
- Mouse control with graphical user interface
- Superior 1.8nm bandpass optics
- Total software manipulation of spectra
- Kinetics, multiple wavelength, quantitative & derivative spectroscopy as standard
- 8 position motorised cell holder as standard

**T**he Jenway 6500 series are multi-capability spectrophotometers, offering all the features that the scientist needs to manipulate and process spectral information.

Designed to be used as a stand alone spectrophotometer, with the wide angle display and mouse control the 6500 series is capable of spectral manipulation that is commonly found only on other spectrophotometers with PC control



**T**he unique Straight Line optical bench gives the Jenway 6500 series superior optical performance at an affordable price to the research or quality control operator.



**V**ersatile programming capability as well as standard kinetics and single and multi wavelength methods, mean that the 6500 series allows flexibility for use of SOP or custom applications. These can then be stored easily and with custom designed names specified by the operator.

## SPECIFICATIONS

<b>Wavelength</b>		<b>Factor</b>	0.000 to 9999.99
<b>Range</b>	320-1100nm (6500) 190-1100 (6505)	<b>Lamp Changeover</b>	320-390nm
<b>Resolution</b>	0.1nm	<b>Readout</b>	Custom graphics LCD
<b>Accuracy</b>	±1.0nm calibration	<b>Languages</b>	English, French, German, Italian, Portuguese and Spanish
<b>Bandwidth</b>	1.8nm	<b>Operation</b>	Tactile keypad and two button mouse
<b>Grating</b>	1200 lines/mm	<b>Photometric Noise</b>	<0.001A @ 0A
<b>Transmittance</b>		<b>Photometric Stability</b>	<0.001Ahr
<b>Range</b>	0 to 199.9%T	<b>Optics</b>	1.8nm split beam
<b>Resolution</b>	0.1%T	<b>Outputs</b>	Analogue / RS232 serial port
<b>Accuracy</b>	0.1% @ 10%T	<b>Light Source</b>	Tungsten halogen (Visible) Deuterium/Tungsten (UV/Visible)
<b>Absorbance</b>		<b>Input Voltage</b>	115/230V a.c. ±20% 50/60Hz
<b>Range</b>	-0.300 to 3.000A	<b>Input Power</b>	200VA
<b>Resolution</b>	0.001A	<b>Size</b>	520(w)x330(d)x180(h)mm
<b>Accuracy</b>	0.005A @ 1.0A	<b>Weight</b>	15kg
<b>Concentration</b>			
<b>Range</b>	-300 to 9999 Concentration (resolution dependent)		
<b>Resolution</b>	0.001/ 0.01/ 0.1/1		
<b>Units</b>	ppb, ppm, µg/l, mg/l, M, %, blank		

**UK & Europe**  
**Jenway Limited**  
 Gransmore Green  
 Felsted, Dunmow  
 Essex CM6 3LB  
 ENGLAND  
 tel: 01371 820122  
 fax: 01371 821083  
 e-mail: sales@jenway.com

**North & South America**  
**Techne Incorporated**  
 743 Alexander Road  
 Princeton, NJ 08540-632  
 UNITED STATES  
 tel: (609) 452-9275  
 fax: (609) 987-8177  
 toll free: 800-225-9243

**Jenway Middle East Limited**  
 P.O. Box 27842,  
 Nicosia  
 CYPRUS  
 tel: 357 2 660423  
 fax: 357 2 660424

## MODELS 6400 & 6500 SERIES SPECTROPHOTOMETERS

# CELLS & CUVETTES

035 025 Visible flow-through cell 1.8ml

035 045 Visible flow-through cell 80 $\mu$ l



035 025

035 027 Visible (glass) 10mm path length cell

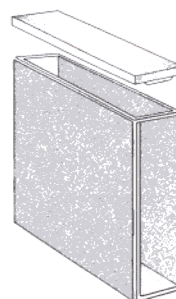
035 086 Visible (glass) 20mm path length cell

035 029 Visible (glass) 40mm path length cell

035 087 Visible (glass) 50mm path length cell

035 079 Visible (glass) 100mm path length cell

035 078 Plastic 100mm path length cell - pack 100



035 029

035 044 UV flow-through cell 1.8ml

035 047 UV flow-through cell 80 $\mu$ l



035 047

035 028 UV (quartz) 10mm path length cell



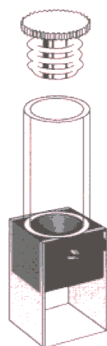
ALYS Labware, Lausanne

Tel : 021 312 42 60

Fax : 021 312 42 61

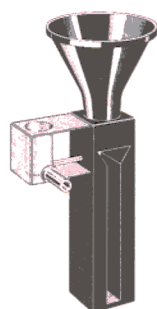
labware@alys-technologies.com

- 035 123 Micro (500 $\mu$ l) glass cuvette
- 035 124 Ultra-micro (50 $\mu$ l) quartz cuvette
- 035 125 Micro (500 $\mu$ l) quartz cuvette
- 035 126 Semi-micro (1ml) glass cuvette
- 035 127 Semi-micro (1ml) quartz cuvette



035 124

- 035 026 Pour in/suck out cell



- 035 128 Flow-through (450 $\mu$ l) glass cuvette
- 035 130 Flow-through (750 $\mu$ l) glass cuvette
- 035 129 Flow-through (450 $\mu$ l) quartz cuvette
- 035 131 Flow-through (750 $\mu$ l) quartz cuvette



035 128

- 060 087 Pack 100 (1ml) plastic semi-micro cuvettes (320-1100nm)
- 060 229 Pack 500 (3.5ml) plastic cuvettes (320-1100nm)

- 060 230 Pack 100 (3.5ml) plastic cuvettes (280-1100nm)
- 060 231 Pack 100 UV (1ml) semi-micro plastic cuvettes
- 060 232 Pack 500 (1ml) plastic cuvettes (280-1100nm)

- 060 179 Pack 100 12x75mm plastic test tubes
- 060 331 Pack 100 12x75mm glass test tubes
- 060 335 Pack 50 24x150mm glass test tubes

UK & Europe  
 Jenway Limited  
 Gransmore Green  
 Felsted, Dunmow  
 Essex CM6 3LB  
 ENGLAND  
 tel: 01371 820122  
 fax: 01371 821083  
 e-mail: sales@jenway.com

North & South America  
 Techne Incorporated  
 743 Alexander Road  
 Princeton, NJ 08540-632  
 UNITED STATES  
 tel: (609) 452-9275  
 fax: (609) 987-8177  
 toll free: 800-225-9243

Jenway Middle East Limited  
 P.O. Box 27842,  
 Nicosia  
 CYPRUS  
 tel: 357 2 660423  
 fax: 357 2 660424

## 6400 & 6500 SERIES SPECTROPHOTOMETERS **ACCESSORIES**



641001

### Integral Printer

The 6400 and 6500 series are available with an integral printer module. This module can either be supplied as a factory fitted item or as a customer installable module.

The printer will record all spectra, multi-wavelength, kinetics and single photometric data when required. It will also include fields for current operator, instrument and sample data which require operator input.

### Spectral Manipulation Software

Jenway uses MicroCal Origin™ software to manipulate all information gathered by any Jenway spectrophotometer. This software incorporates an Excel spreadsheet which is automatically updated with any new data created in Origin™. This data can then be quickly shown as a spectra by a single click of the mouse. Origin includes a Jenway header on the toolbar which rapidly facilitates the opening of data created by the spectrophotometer. It also includes a template which can be readily edited to present your data in the required format, to include instrument and operator ID, peak pick, derivative and direct concentration readout.

### Hyperterminal Set Up Disk

To collect data direct from the spectrophotometer, set up protocols can be either manually entered or by using the set up disk available from Jenway. This can be used to copy across all information to establish communication between the spectrophotometer and the PC.

542 009

Interface cable kit, hyperterminal set up disk and Origin™ spectral manipulation software with Jenway data import.

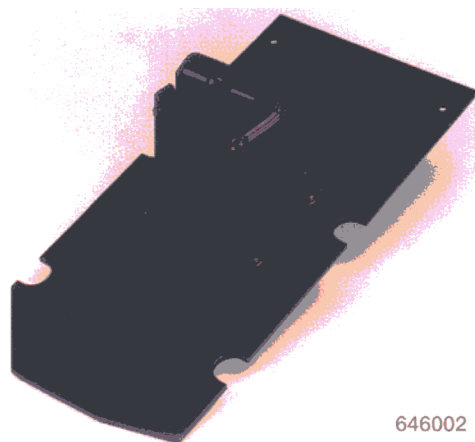
050 301

MicroCal Origin™ software with Jenway toolbar.

### Universal Cuvette Holder

To analyse samples at low concentrations longer path length cells are required. Jenway has a universal long path length cell holder which can accommodate cuvettes from 20 to 100mm in length, as well as a universal test tube holder.

- 630 005 Universal cell holder 20-100mm
- 646 001 Universal test tube holder
- 644 003 8 cell rack for 10mm cells
- MS265 8 cell rack for 40mm cells
- MS272 8 cell rack for 50mm cells



646002

**ALYS Labware, Lausanne**

**Tel : 021 312 42 60**

**Fax : 021 312 42 61**

**labware@alys-technologies.com**

### Sipper Unit

For rapid throughput of sample a programmable sipper is available, allowing rapid uptake of sample (up to 10ml per minute), with a dead volume of 500 $\mu$ l, excluding the flow cell volume. The sipper unit is extremely versatile, allowing flush in either direction, reverse pump back to sample to save valuable sample, incorporation of an aliquot of air to reduce carry over to less than 1% and a calibrate mode. The calibrate mode keeps sample uptake to a minimum by allowing for different dead volumes of solution.

642 001 Sipper Unit (including on-board software)



### Temperature Controlled Sipper

Temperature control of a sipper unit incorporates both features of the sipper system and peltier control from on-board software control.

647 001 Peltier temperature control and sipper system

### Temperature Control

Temperature on the 6400 and 6500 series units can be controlled by a number of accessories. For single cell operation on the 6400 series there is a water heated single cell block. The 6500 series require a water heated 8 cell block. These can then be linked to a water bath via a water circulator.

648 001 Single cell block with water jacket (6400 series)

649 001 8 cell block with water jacket (644 001 is required when using this item)

037 201 Water circulator for use with 648 001 (requires water bath) -20 to +50°C, 230V

037 202 Water circulator for use with 648 001 (requires water bath) -20 to +50°C, 110V



### Peltier Systems

On-board temperature control is maintained by a Peltier system which controls sample temperature from 20°C to 50°C for ambient temperatures up to 35°C via the on-board control software. This is a single cell holder for both the 6400 and 6500 series.

643 001 Peltier heated cell system, 230V

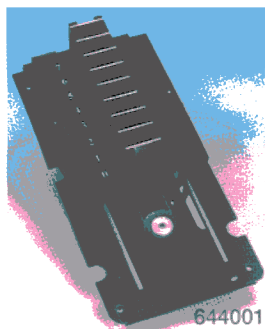
643 031 Peltier heated cell system, 110V

Comprising heated cell block and external power supply module

For 8 cell temperature control on the 6500 series the 8 cell jacketed holder and the external Peltier device allows temperature to be taken down as low as 4°C.

037 001 External Peltier cooler for use with 648 001 4-50°C  $\pm$ 0.2°C 230V

037 002 External Peltier cooler for use with 648 001 4-50°C  $\pm$ 0.2°C 110V



644 001 8 position motorised cell holder. This item is supplied as standard with the 6500 and 6505.

645 002 Vacuum Pump

035 088 Visible Calibration Standards

035 091 UV/Visible Calibration Standards

644 133 Dust Cover

UK & Europe  
Jenway Limited  
Gransmore Green  
Felsted, Dunmow  
Essex CM6 3LB  
ENGLAND  
tel: 01371 820122  
fax: 01371 821083  
e-mail: sales@jenway.com

North & South America  
Techne Incorporated  
743 Alexander Road  
Princeton, NJ 08540-632  
UNITED STATES  
tel: (609) 452-9275  
fax: (609) 987-8177  
toll free: 800-225-9243

Jenway Middle East Limited  
P.O. Box 27842,  
Nicosia  
CYPRUS  
tel: 357 2 660423  
fax: 357 2 660424